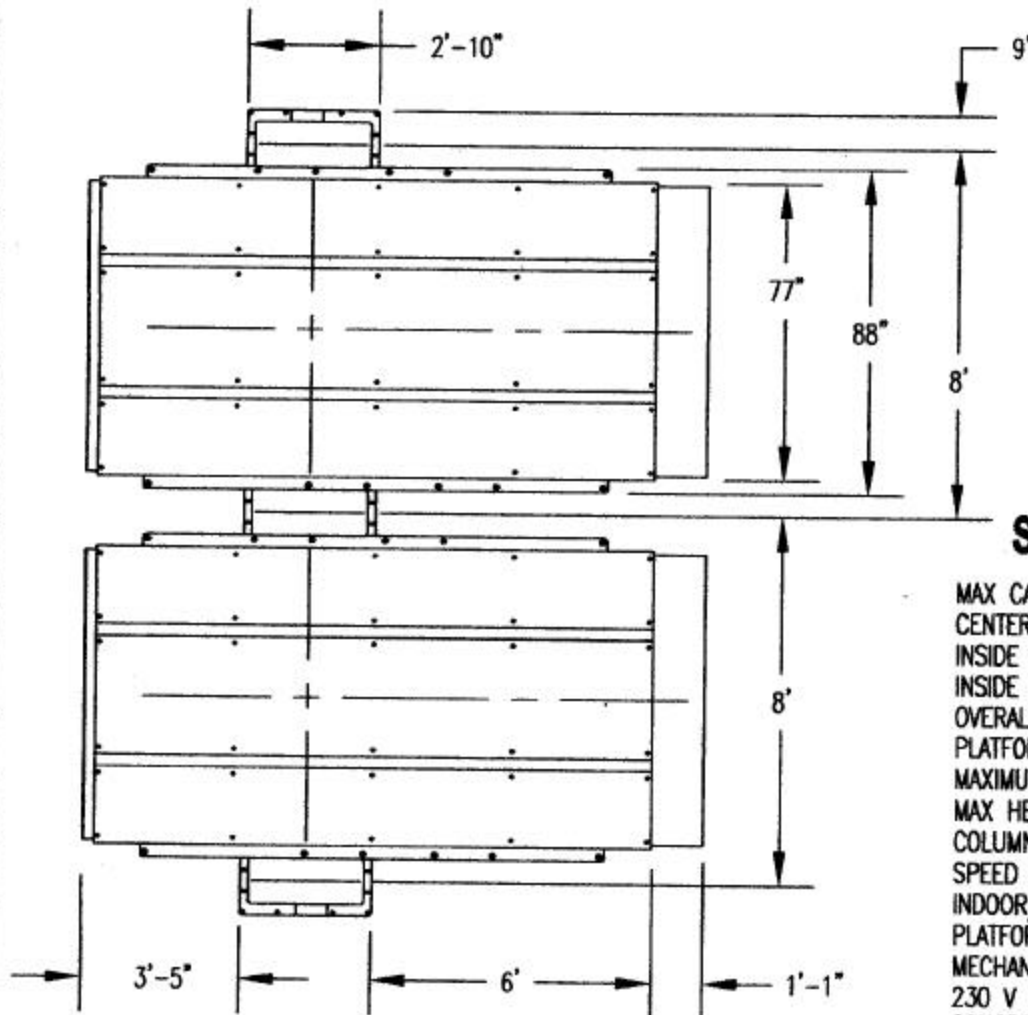


ACC 9 DOUBLE STACK PARKING LIFT

**CONCRETE PAD
INSTALLATIONS**



SPECIFICATIONS

MAX CAPACITY.....	9000 LB
CENTERLINE WIDTH.....	8'-0"
INSIDE PLATFORM WIDTH.....	77"
INSIDE COLUMN WIDTH.....	88"
OVERALL LENGTH.....	13'-4"
PLATFORM LENGTH.....	12'-0"
MAXIMUM WHEELBASE.....	130"
MAX HEIGHT CLEARANCE.....	82"
COLUMN HEIGHT.....	9'-10"
SPEED OF RISE.....	40 SEC
INDOOR/OUTDOOR INSTALLATION	
PLATFORM FRONT/REAR WHEEL WELLS	
MECHANICAL LOCKS EACH COLUMN	
230 V SINGLE PHASE POWER UNIT	
CONCRETE: 3000 PSI, 4" THICK	
REINFORCED W/ STEEL BAR, MESH	
MODEL ALSO AVAILABLE FOR ASPHALT PAD	

