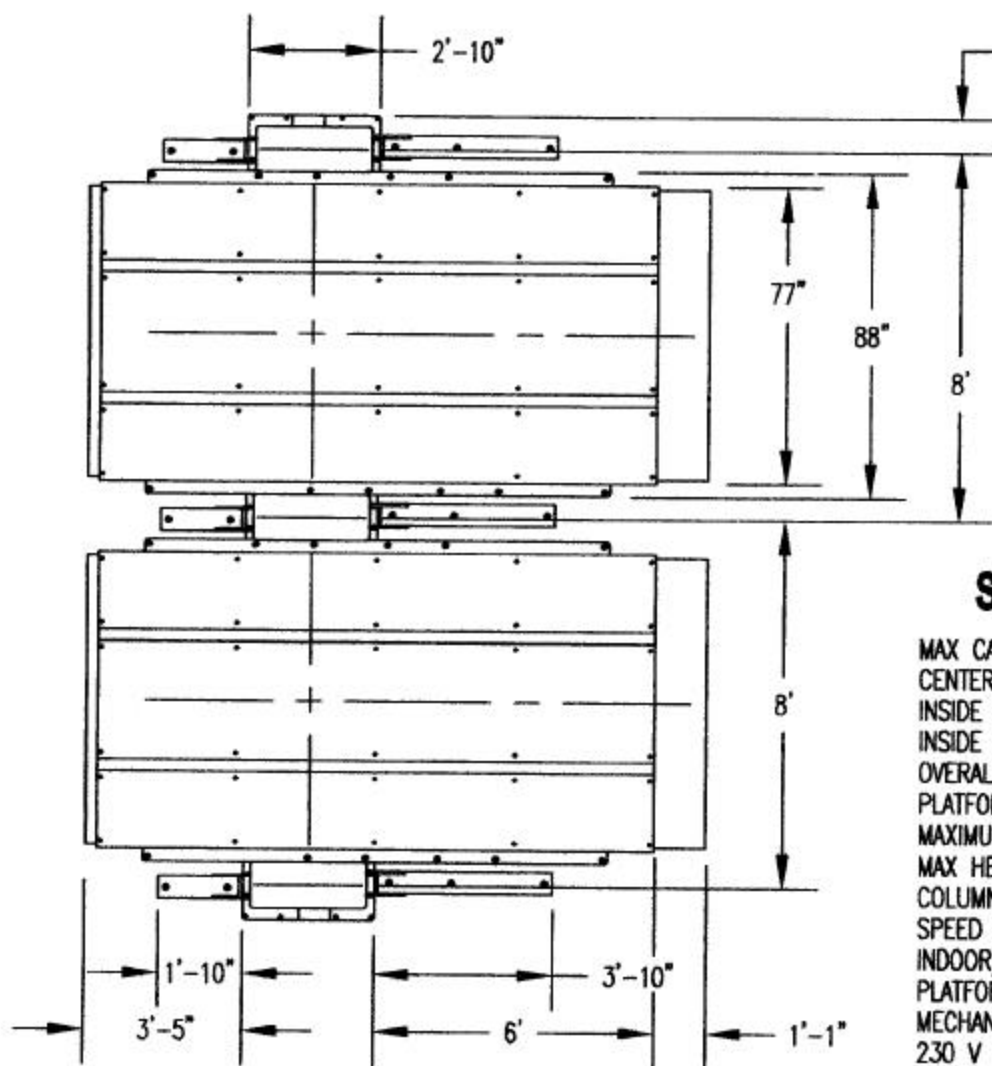


ACC 9 DOUBLE STACK PARKING LIFT



ASPHALT PAD INSTALLATIONS

SPECIFICATIONS

- MAX CAPACITY.....9000 LB
- CENTERLINE WIDTH.....8'-0"
- INSIDE PLATFORM WIDTH.....77"
- INSIDE COLUMN WIDTH.....88"
- OVERALL LENGTH.....13'-4"
- PLATFORM LENGTH.....12'-0"
- MAXIMUM WHEELBASE.....130"
- MAX HEIGHT CLEARANCE.....82"
- COLUMN HEIGHT.....9'-10"
- SPEED OF RISE.....40 SEC
- INDOOR/OUTDOOR INSTALLATION
- PLATFORM FRONT/REAR WHEEL STOPS
- MECHANICAL LOCKS EACH COLUMN
- 230 V SINGLE PHASE POWER UNIT
- MODEL ALSO AVAILABLE FOR CONCRETE PAD

